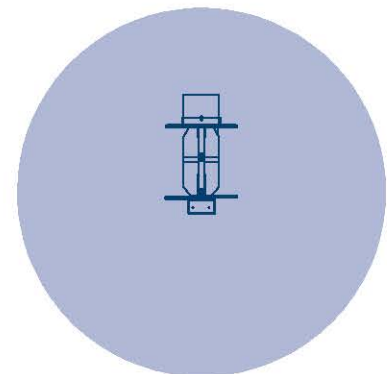
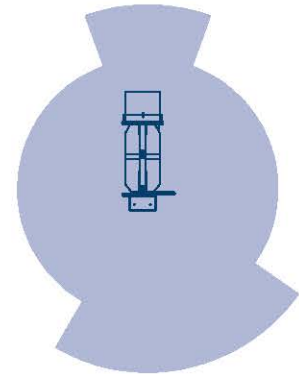
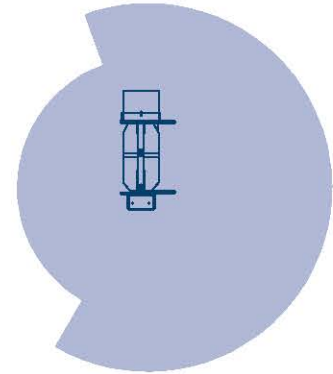
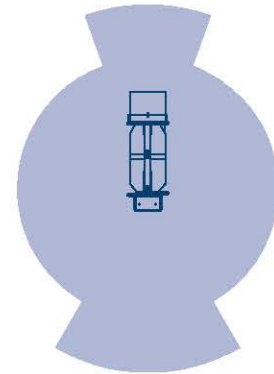
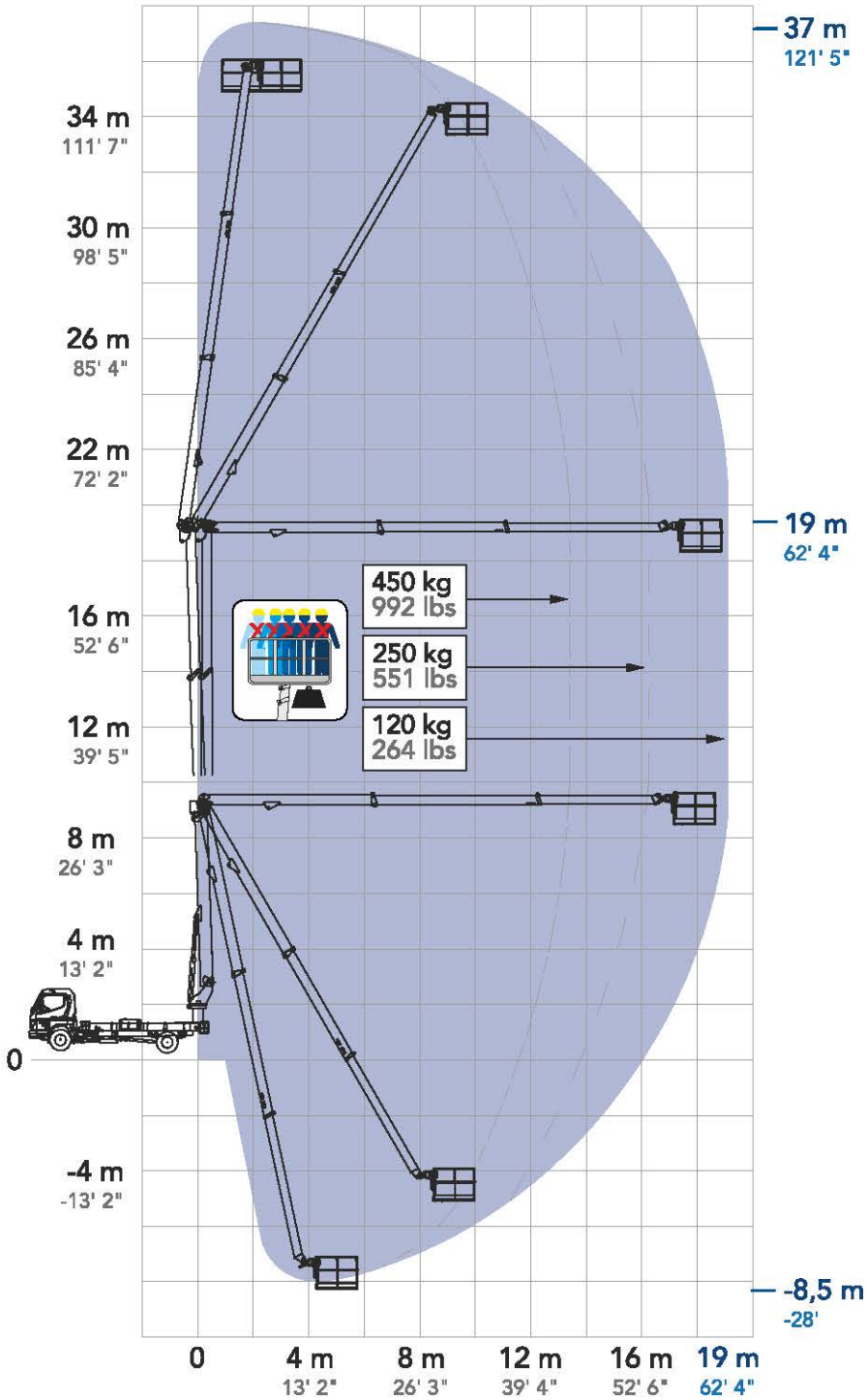


360° CONTINUOS



depending on chassis

MISURE

A	Lunghezza cesto	800 mm
B	Profondità cesto	2000 mm
C	Altezza della macchina	3100 mm
D	Lunghezza della piattaforma	7480 mm
E	Lunghezza totale	8165 mm
F	Larghezza della macchina	2250 mm
G₁	Larghezza con stabilizzatori posizione intermedia	2900 mm
G	Larghezza stabilizzatori posizione estrema	4900 mm

* le misure variano in base al telaio

MEASUREMENTS

Cage length	5 ft 11 in
Cage width	2 ft 4 in
Height	7 ft 9 in
Platform length	23 ft 4 in
Overall length	25 ft
Width	7 ft 3 in
Width - outriggers in	12 ft 6 in
Width - outriggers out	12 ft 6 in

* measurements depend on chassis

PRESTAZIONI

Altezza di lavoro	37 m
Sbraccio laterale	19 m
Punto di scavalco	19 m
Lavoro negativo	- 8,5 m
Peso	7,5 T

PERFORMANCE

Working height	121 ft 5 in
Horizontal outreach	62 ft 4 in
Up and over clearance	62 ft 4 in
Negative work (below ground level)	- 28 ft
Weight	16534 lbs



37,00 m
121 ft 5 in



19,00 m
62 ft 4 in



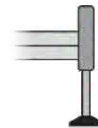
490 kg
1080 lbs



-8,50 m
-28 ft



450 kg
992 lbs



H+H



35,00 m
115 ft



1440°



90°+90°



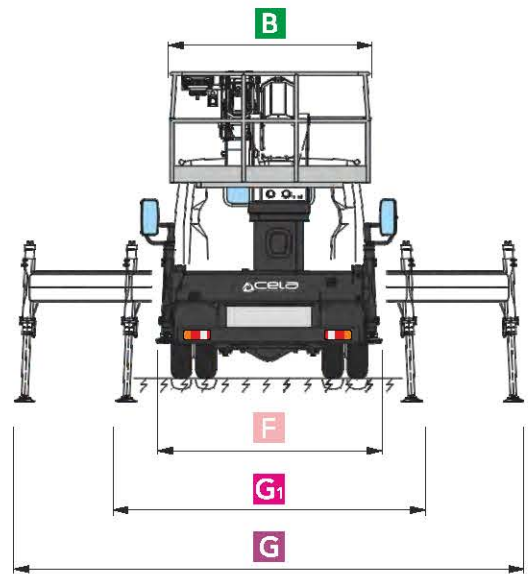
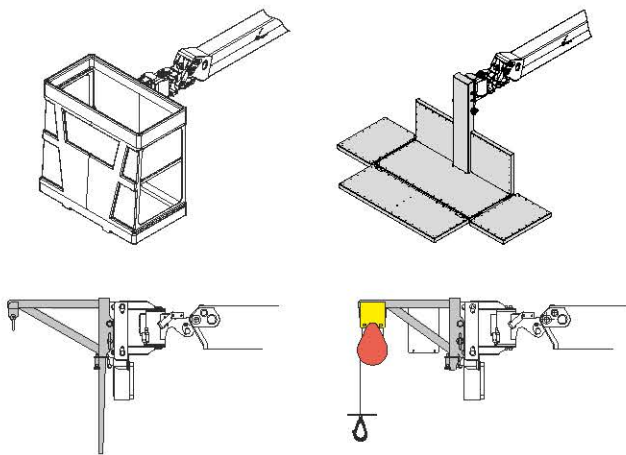
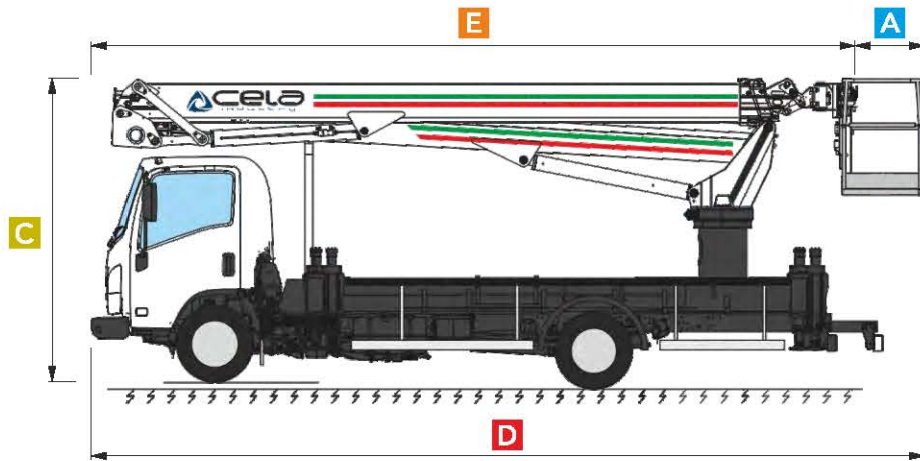
19,00 m
62 ft 4 in



ALUMINIUM
2,2X0,8X1,1
7'3"X2'7"X3'7"



ELECTRONIC



Multipurpose lifting options

Diagram illustrating various lifting options, including a basket, a platform, a hook, and a hook with a pulley. A central timer icon shows 00:30.

Sbarco in quota autorizzato
Authorized exit at height

Diagram illustrating the authorized exit at height feature, showing a worker on a platform being lowered to a specific height.

Come un ascensore
Like an elevator

Diagram illustrating the elevator-like operation, showing a worker on a platform moving vertically.

Dolci e veloci
Smooth and fast

Diagram illustrating the smooth and fast operation, showing a worker on a platform moving smoothly and quickly.

Auto stabilizzazione
Automatic stabilization

Diagram illustrating the automatic stabilization feature, showing the truck chassis with automatic stabilization.

Siamo i più forti
We are the strongest

450 kg
992 lbs

490 kg
1080 lbs

Diagram illustrating the strength of the crane, showing the maximum load capacity for the basket (450 kg / 992 lbs) and the hook (490 kg / 1080 lbs).

Sempre al tuo fianco
Always by your side

Diagram illustrating the CELO logo and the truck with a wireless signal icon, indicating connectivity.

Ti spianiamo la strada
We level the road for you

Diagram illustrating the leveling feature, showing the truck leveling the road with a 9% slope.